

## SPECIFICATIONS

### GENERAL

Two-level wall mounted drinking fountain are manufactured from heavy-gauge, non-corrosive stainless steel with all exposed surfaces in high-polished finish or brushed finish. Smooth radiused design eliminates sharp corners, which can cause injury. Larger seamless drawn contour-formed basin with softly rounded corners and edges reduces splatter, insures proper drainage and prevents standing waste water. Designed to be easily accessible to both physically challenged and able-bodied individuals. Ideally suited for installation in public areas.

TB4-3 is a non-refrigerated stainless steel drinking fountain for direct connection to a cold water supply or for use with remote water chillers.

### Construction

The drinking fountain is manufactured in one piece without joints or crevices from grade 304 stainless steel, with all exposed surfaces polished to a satin finish or high-polished. For ease of cleaning and hygiene a back panel is incorporated in the back of the drinking fountain. Each drinking fountain is supplied with a waste fitting and a chrome plated shielded bubbler complete with a self closing push button valve.

### Standard Features

- Polished chrome-plated brass bubbler & push button
- Vandal-resistant bottom plate
- Hygienic and vandal resistant
- Smooth radiused design
- Integral splashback
- Easily installed at adult or junior height
- Fully concealed pipework & fixings

### Bubbler Valve

The drinking fountain is supplied with a chrome plated shielded bubbler with self closing push button valve. The valve incorporates a flow adjuster and strainer and is supplied with a water inlet fitting to suit 15 mm diameter pipework.

### Waste Outlet

The drinking fountain is supplied with a 32 mm (1¼ in) BSP flush grated waste fitting.

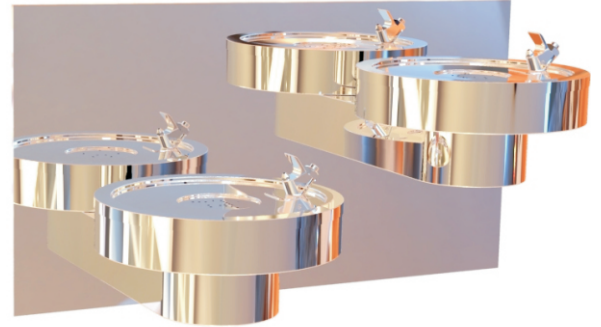
### FINISH

High-polished finish or brushed finish.

Model #	Style	Inlet Connection	Waste Elbow Outlet	Minimum Supply Line Size	Extended From Wall	Net weight (Approx.)
TB4-3	Wheelchair	1/4" O.D. Tubing	1- ¼ O.D. tube	½" with 30-90psi flow pressure	490mm	19KG

**Note:** In keeping with our policy of continuing product improvement, Moerdeng reserves the right to change materials, design and specifications without notice.

### Fountain With Back Panel



MODEL TB4-3 SHOWN

### Optional Accessories (extra cost)

- Bubbler Head: Model P003 bubbler is a polished chrome-plated solid brass bubbler head with push button.
- Filter: Model F006-4, 12" x 2", in-line lead removal element that reduces lead from incoming water supply.
- Access Panel: Model BP450, satin finish stainless steel access panel. Includes frame and screws.
- Back Panel: Model BP520M, mirror finish stainless steel back panel or Model BP520B, brushed finish stainless steel back panel.

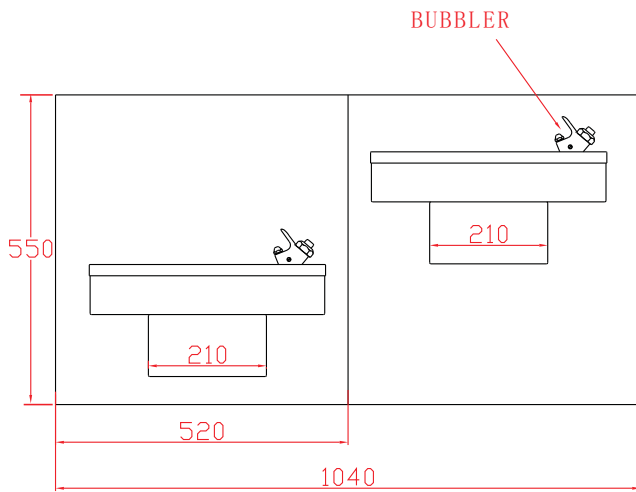
### APPLICATIONS

Perfect for either public or private indoor/outdoor settings, Model TB4-3 is a great fit in areas where aesthetics are important to the overall appeal of the architecture. This series is precisely mounted, making it a nice addition to any surrounding. Beautiful high-polished finish or brushed finish helps to maintain the fountains overall appeal so it always remains looking as new as it did when it was installed. Specifically, this type of wall mounted drinking fountain may be placed in settings such as: schools and other locations in and around office buildings where the temperature remains above freezing.

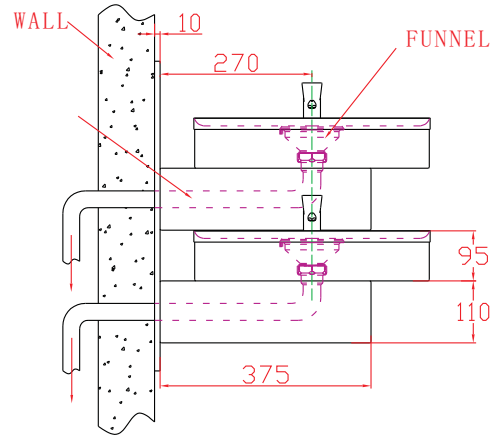
### Export Warranty:

One year on component parts.

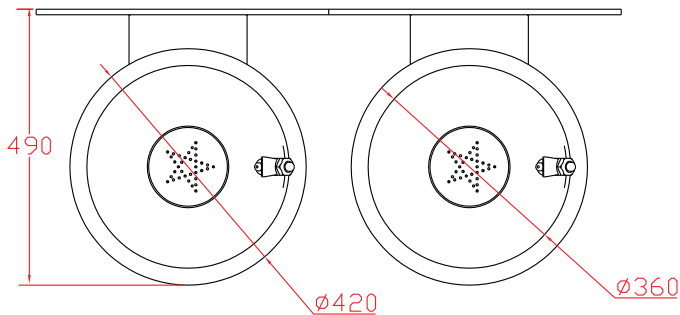
## SPECIFICATIONS



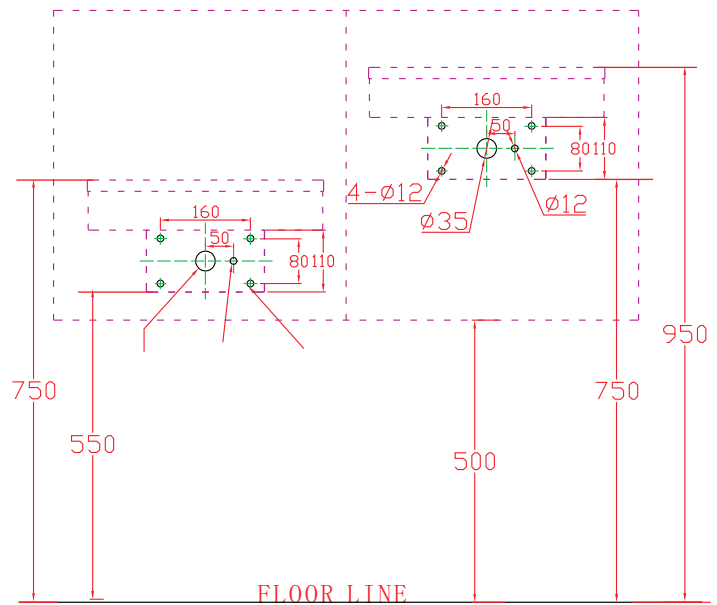
FRONT VIEW



SIDE VIEW



TOP VIEW



WALL LAYOUT

As improvements in the design and performance of moerdeng products are continuous, specifications may be subject to change without notice.

### Installation

Ensure wall construction is suitable to support the unit.

Adult Height - Fountain rim is typically mounted 915mm above FFL.

Junior Height - Fountain rim is typically mounted 760mm above FFL.

Installation requires trap to be installed in wall.

A service supply stop must be installed at the fountain inlet line.

Trap and service stop not included.

**CAUTION** - Fountain must be securely bolted to wall.

**Important:** Installation instructions and current rough-in details should be furnished with each fixture. Do not rough in without certified dimensions. Dimensions are subject to manufacturer's tolerance of +/-10mm.