

SPECIFICATIONS

General

Self-contained, floor mounted, wall fixed electric refrigerated water cooler. This series furnished with Hermetically sealed combination tank-tube type cooling unit enclosed in cabinet. Cabinet design allows for flush-to-wall installation. Removable front panel & cabinet sides are stainless steel finish. Non-pressurized stainless steel cooling tank is standard. Non-pressurized water tank is located after bubbler valve, so that tank is subject to line pressure only when bubbler button is pressed.

Features(Standard)

Stainless steel cabinet and basins
Bi-level basins design
Stainless steel frame and base
Stainless steel reservoir (3.5 Litre. Capacity)
Cross flow ventilation
Adjustable bubbler
Ample provision for internal filtration
Use optional filters (see under filters)
High-efficiency cooling tank and coil
Refrigerant R-134a

Cooling System

Motor Compressor: Hermetically sealed, reciprocating type, 220VAC, 50 Hertz single phase. Sealed in lifetime oil supply.

Condenser: Fan cooled, copper tube with aluminium fins. Fan motor is permanently lubricated.

Cooling Unit: Combination tube-tank type. Evaporator cooling coil of continuous copper tubing. Tank is stainless steel. Fully insulated with EPS foam. Tank volume is 3.5 litres. All water contact surfaces are stainless steel.

Refrigerant Control: Refrigerant HFC-134a is controlled by accurately calibrated capillary tube for positively trouble-free operation.

Temperature Control: Enclosed adjustable thermostat is factory pre-set. Requires no adjustment other than for altitude requirements.

APPLICATIONS

Perfect for either public or private settings, our water coolers are a great fit in indoor environments. This series is precisely mounted, making it a nice addition to any surrounding. Beautiful satin finish basin helps to maintain the fountains overall appeal so it always remains looking as new as it did when it was installed. Specifically, this type fountain may be placed in settings such as: office buildings, shopping malls, and other indoor environments where there is a demand for a chilled water source.



MODEL TL22 SHOWN

CONSTRUCTION

Fountain Top: One piece stainless steel top, polished to a uniform bright luster finish. Exclusive Cascade basin, tested most splash-resistant, features multi-level deck design.

Bubbler: Polished chrome-plated lead-free brass push button bubbler valve with pressure compensating adjustable stream regulation and shielded sanitary nozzle design.

Removable Panel: Removable front panel and rear panel offer easy accessibility to interior.

Color Selection: Stainless steel as standard. mirror or brushed finish. All furnished at no extra cost.

Cabinet: Cabinet design allows for flush to wall mounting or free standing.

Optional Accessories (extra cost)

- Glass Filler Kit
- Water Filter
- Foot pedal available. Factory installed only.
- Custom color finishes available upon request.
-
-

Export Warranty:

One year on component parts.

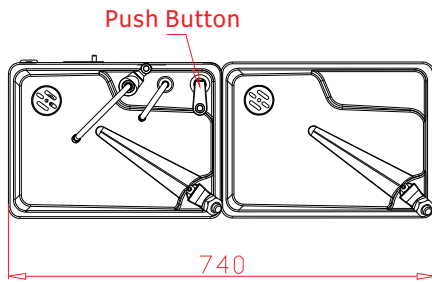
SPECIFICATIONS

TECHNICAL SPECIFICATIONS – FREE STANDING WATER COOLERS

Model #	Cooling Capacity* LPH	Rated Watts	Hot Tank Available	Filter Option	Glass Filler Option	Foot Pedal Option	Cabinet Finish Options	115Volts Option	Ship. Wt. Kgs
TL22-500A	10	103	●	●	●	●	●	●	35
TL22-500B	15	118	●	●	●	●	●	●	36
TL22	Cabinet only. Refrigeration not included.			●	●	●	●		13

*Capacities are at industry standard rating conditions of 50° F (10° C) outlet water, 80° F (26. 7° C) inlet water and 90° F (32. 2° C) ambient air.

● Available option Note: If blank, option not available



ELECTRICAL

Furnished with plug-in, 3-wire grounding type service cord. Standard 220 volt, 50 Hz, single phase. Transformers available for other power supplies.

Install 220-volt receptacle, rated at 10-amp minimum to receive 3-wire parallel blade grounding type male plug.

Note: Installation outdoors in an unprotected environment is not recommended.

PLUMBING CONNECTIONS

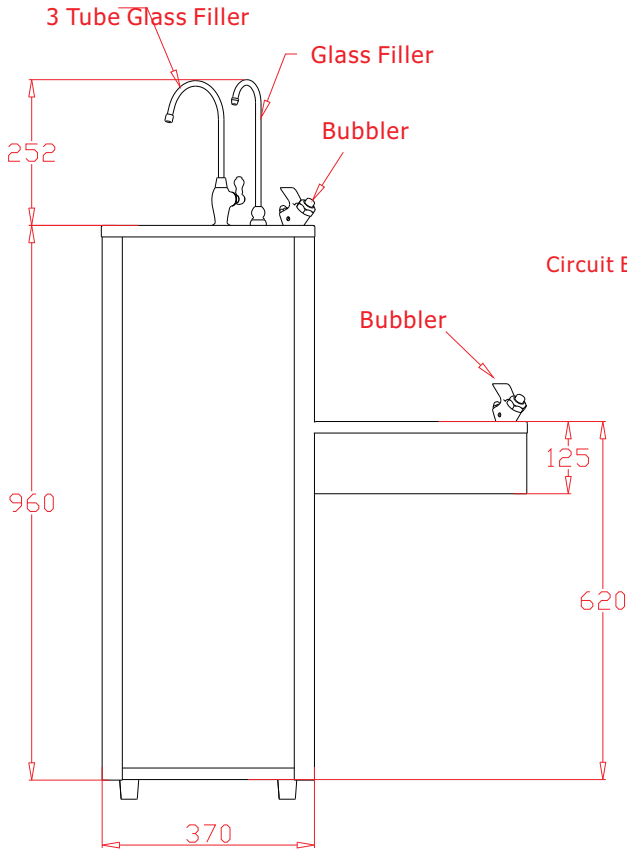
Enter directly into cabinet. Waste 1 1/4". Supply 1/4" tubing.

Trap and service stop not included.

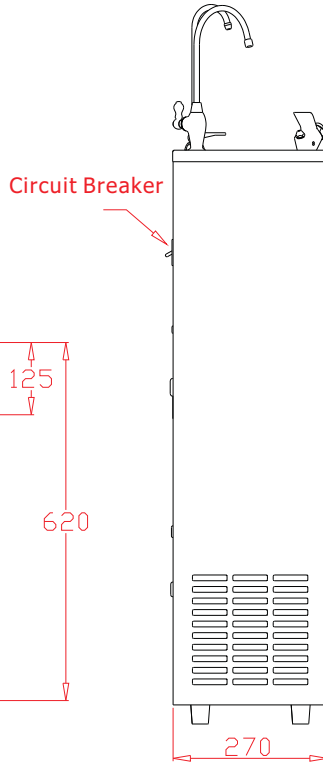
OPERATING PRESSURES

Supply water-105 psi maximum

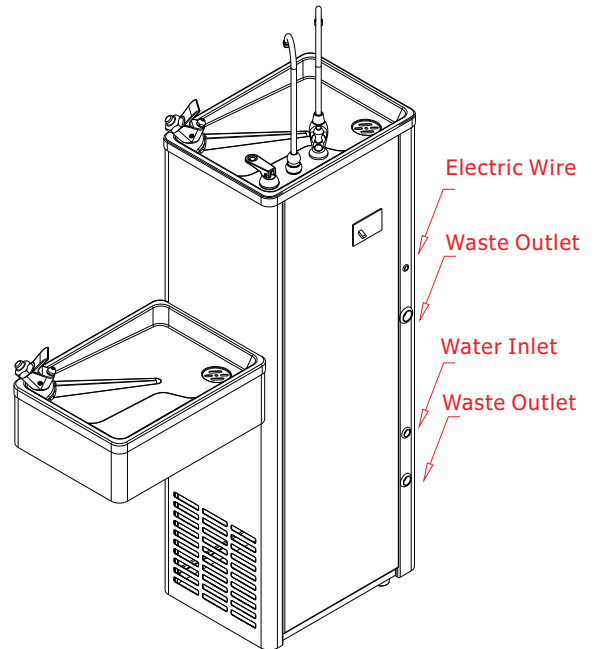
TOP VIEW



FRONT VIEW



SIDE VIEW



Note: In keeping with our policy of continuing product improvement, Moerdeng reserves the right to change materials, design and specifications without notice.

© 2009 **Shenzhen Moerdeng Water Machine Co., Ltd**
 Add: Flr. 7, Bldg. A, Shabian industrial park, Baoan Road, Baoan District, Shenzhen, China
 Phone: +86 755 25150000 Fax: +86 755 26456909
 Http://www.szmr.com Email: szmr@yahoo.com.cn